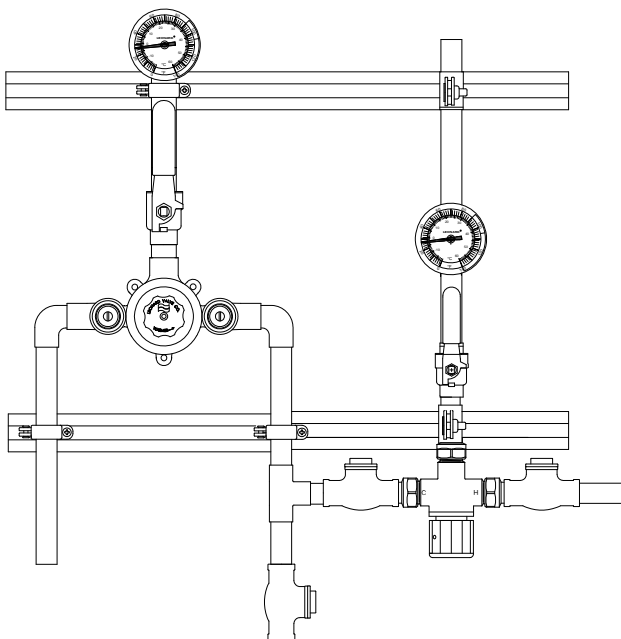


# Thermostatic MIXING VALVE

## *ECO-MIX*™ XL-32A-LF-DT-RF-R34 Exposed Recirculation Assemblies



- Thermostatic water mixing valve
- 3/4" inlets and outlet (19mm x 19mm)
- Minimum flow 1 GPM (3.8 LPM)
- Copper encapsulated thermostatic assembly with Stainless Steel shuttle
- Internal parts stainless steel
- Combination checkstops
- Locking temperature regulating handle
- Color coded dial thermometer, 0 - 140°F, -10° - 60°C
- Temperature adjustment range, 90 - 140°F (32 - 60°C) \*\*
- Bottom inlets, top outlet
- 3/4" Return loop with thermometer
- 3/4" Leonard ARV automatic return valve, (return limiter)
- Check valves on either side of ARV
- Complete unit mounted on heavy duty strut, for ease of installation
- Factory assembled and tested
- 125 PSI (8.6 BAR) maximum operating pressure
- Rough bronze finish
- See Flow Capacity Chart reverse side

**ASSE 1017 CERTIFIED**



**WARNING:** This product can expose you to chemicals including lead, which is known to the State of California to cause cancer. For more information, go to [www.P65Warnings.Ca.gov](http://www.P65Warnings.Ca.gov)

**\*\*NOTE:** For temperatures outside of this valve's stated range, please see our line of bi-metal valves.

Note: Leonard Valve Company reserves the right of product, or design modifications without notice or obligation.

**Valve assembly is certified to meet Low-Lead requirements of wetted surface area containing less than 0.25% lead by weight. All other fittings and components, the sum total of which comprise the wetted surface of this product contains less than one quarter of one percent of lead by weight.**

<b>Engineer's Approval</b>	Job # _____
	Arch/Eng. _____
	Contractor _____



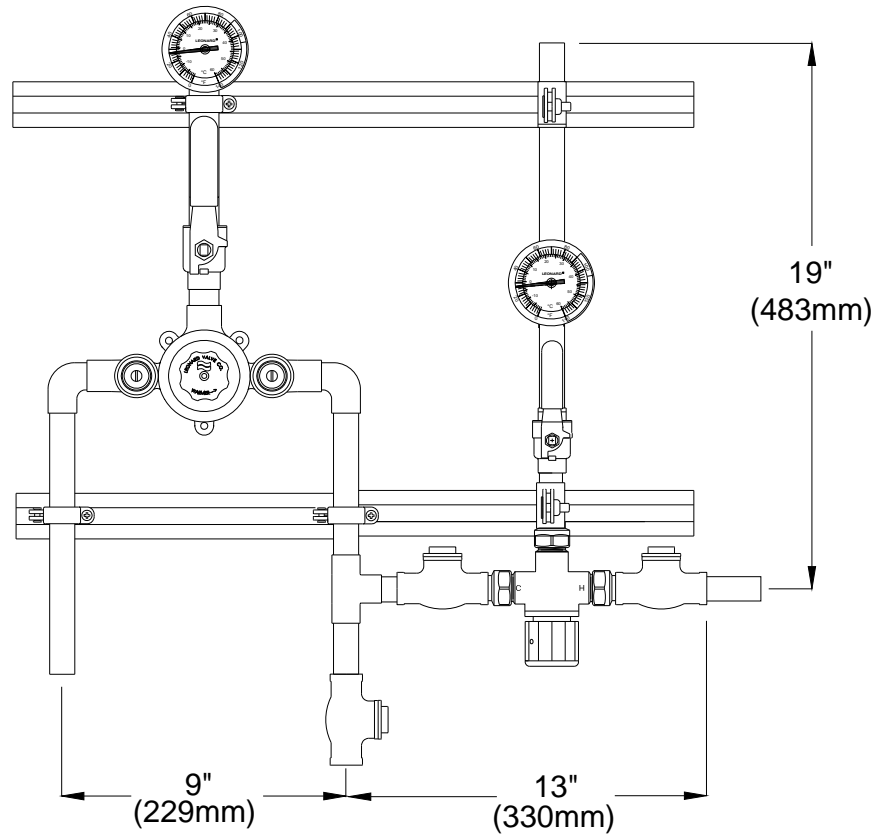
1360 Elmwood Avenue, Cranston, RI 02910 USA

Phone: 401.461.1200 Fax: 401.941.5310

Email: [info@leonardvalve.com](mailto:info@leonardvalve.com)

Web Site: <http://www.leonardvalve.com>

# XL-32A-LF-DT-RF-R34



SYSTEM PRESSURE DROP											
	5	10	15	20	25	30	35	40	45	50	PSI
	0.3	0.7	1	1.4	1.7	2.1	2.4	2.8	3.1	3.4	BAR
1	11	16	20	22	24	26	28	30	32	33	GPM
3.8	42	61	76	83	91	98	106	114	121	125	l/min



1360 Elmwood Avenue, Cranston, RI 02910 USA

Phone: 401.461.1200 Fax: 401.941.5310

Email: [info@leonardvalve.com](mailto:info@leonardvalve.com)

Web Site: <http://www.leonardvalve.com>