

WALL MOUNTED SHOWER SYSTEMS

surfashower®

FOR HANDICAPPED
INSTALLATION



**Thermostatic
SS-7600-101P(G)** Valve is ASSE 1016 Listed 



SS-7600-101P(G)

All Leonard Model 7600 Thermostatic Shower Valves have limitations. Please keep in mind that per the ASSE 1016-2011 Performance Standard, Harmonized along with ASME and CSA, it dictates inlet conditions of equal pressures, 45 PSI on both Hot and Cold Inlets, in addition to a Hot supply temperature range of 140 deg F- 180 deg F. Significant deviations from those conditions stated above will alter performance expectations.

Leonard Valve Company reserves the right of product or design modifications without notice or obligation.

Engineer's Approval	Job # _____
	Arch/Eng. _____
	Contractor _____

__SS-7600-101P(G) Thermostatic Surfashower®

- Copper encapsulated thermostat assembly with brass shuttle, compensates for temperature fluctuations induced by water temperature and pressure changes
- Built-in shutoff for single handle operation
- Integral checkstops
- Cast lever handle, polished chrome plated
- Maximum operating pressure: 125 PSI (860 KPA)
- Adjustable high temperature limit stop set for 110°F* (43°C)
- Color-coded dial
- ½" flexible stainless steel hose on inlets
- 101P(G) hand shower, 2.5 GPM (9.5 l/min) 60" (1524mm) hose, 24" (610mm) glide bar, double check valve assembly, supply elbow
- Capacity of 4 GPM (15 L/min)
- Exposed parts chrome plated, vandal resistant
- Maximum supply pressure: 125 PSI (860 KPA)
- Soap dish
- Sloping top cap with regular bottom cap
- Factory pre-assembled with 18 gauge stainless steel cover, #4 finish, with top and bottom caps

OPTIONS:

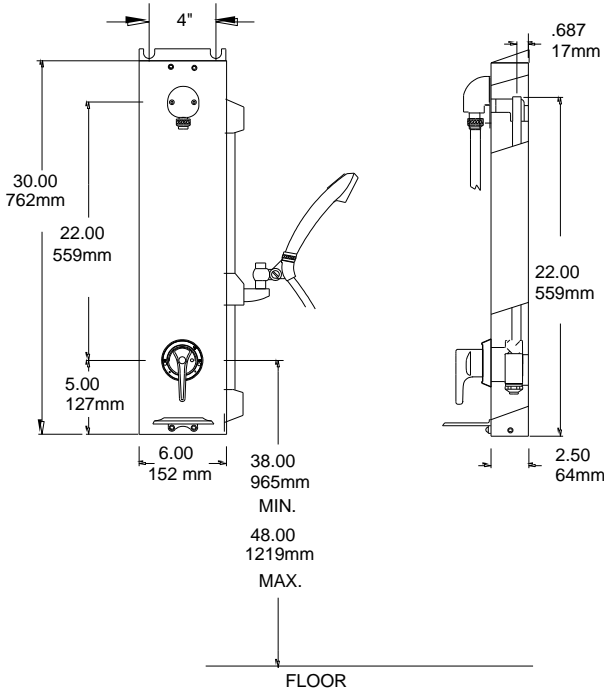
- ___ **100P** - Hand shower 2.5 GPM 69" hose with wall hook
- ___ **115P(G)** - Hand shower 60" (1524mm) hose, 24" (610mm) glide bar, double check valve assembly, supply elbow, operates at 1.50 GPM /5.7 LPM
- ___ **62001 CP** - 24" (61 cm) ADA wall grab bar, stainless steel, 1.5" (38mm) outside diameter, concealed screw mounting system, mounting hardware included
- ___ **62003 CP** - as above except 36" (91 cm) ADA wall grab bar
- ___ **62001 CP-1.5** - 24" (610mm) ADA wall grab bar, stainless steel, 1.5" (38mm) outside diameter, concealed screw mounting system, mounting hardware included, 1.50 GPM /5.7 LPM
- ___ **62003 CP-1.5** - as above except 36" (91 cm) ADA wall grab bar
- ___ **INVB** - Inline vacuum breaker
- ___ **VX** - Integral stainless steel extension to ceiling, specify length. See reverse side to calculate VX length.



1360 Elmwood Avenue, Cranston, RI 02910 USA
Phone: 401.461.1200 Fax: 401.941.5310
Email: info@leonardvalve.com
Web Site: <http://www.leonardvalve.com>

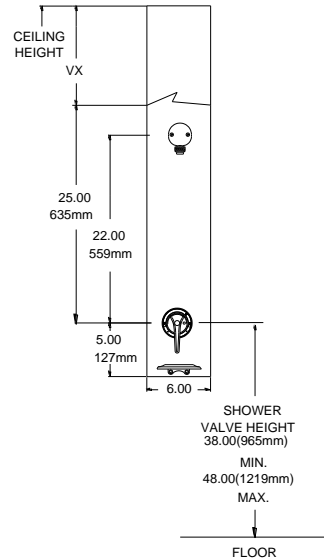
WALL MOUNTED SHOWER SYSTEMS- Surfashower®

Thermostatic Model
SS-7600-501P(G)



SUFFIX VX

VX LENGTH= Ceiling height minus shower Valve height (38" (965mm) AFF min). minus 25" (624mm)



WARNING: This product can expose you to chemicals including lead, which is known to the State of California to cause cancer. For more information, go to www.P65Warnings.Ca.gov

