

PRESSURE ACTUATED SHOWER VALVES

Submittal Data Sheet S-1051
March, 2024

AQUATROL® 4500

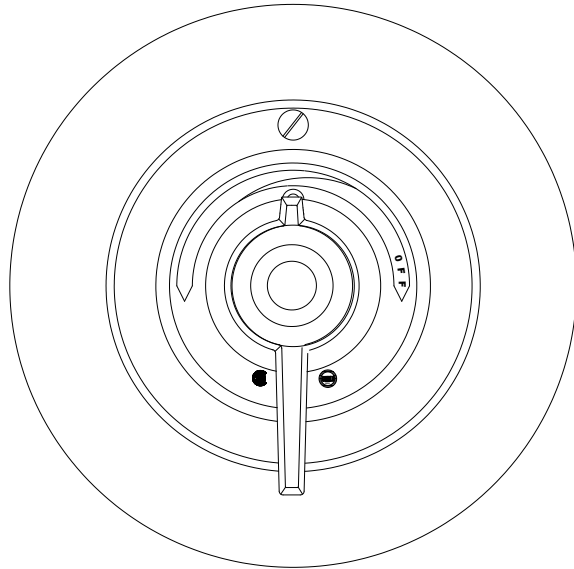


½" Inlets and Outlet

SHOWER OR TUB/SHOWER

4500 AQUATROL® Pressure Actuated mixer

- Durable stainless steel balancing piston to equalize hot and cold supply pressures.
- Built-in shutoff for single handle operation
- Removable one piece upper and lower valve seat
- Internal parts of bronze and stainless steel
- Cast wall flange and lever handle, polished chrome plated
- Maximum operating pressure: 125 PSIG (860KPA)
- Adjustable high temperature limit stop set for 110°F* (43°C)
- Color coded dial, Off through Hot, with directional indicators
- Angle Checkstops, threaded connection
- Outlet, threaded connection
- Plasterguard/thin wall mounting bracket included.
- Minimum flow 1.5 GPM (5.7 l/min)



Valve is ASSE 1016 – Type P Certified
Valve is CSA B.125-16 – Type P Certified



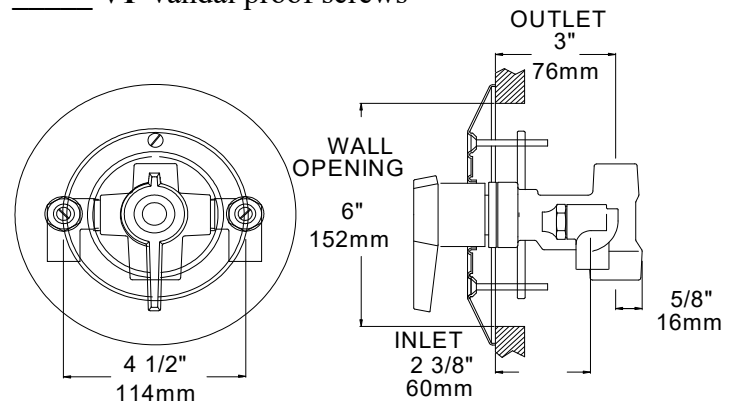
Options:

_____ VP vandal proof screws

4500
FLOW CAPACITIES



WARNING: This product can expose you to chemicals including lead, which is known to the State of California to cause cancer. For more information, go to www.P65Warnings.Ca.gov



Job # _____
Arch/Eng. _____
Contractor _____

Engineer's Approval

Note: Leonard Valve Company reserves the right of product, or design modifications without notice or obligation. modifications without notice or obligation.

*NOTE: A limit stop, set for 110°F (43°C), is simply a mechanical setting to prevent excessive handle rotation. If incoming water is hotter than 135°F (57°C), the temperature of the factory test, the valve when turned to full HOT may deliver water in excess of 110°F and the limit stop MUST BE RESET BY THE INSTALLER



1360 Elmwood Avenue, Cranston, RI 02910 USA
Phone: 401.461.1200 Fax: 401.941.5310
Email: info@leonardvalve.com
WEB SITE: <http://www.leonardvalve.com>