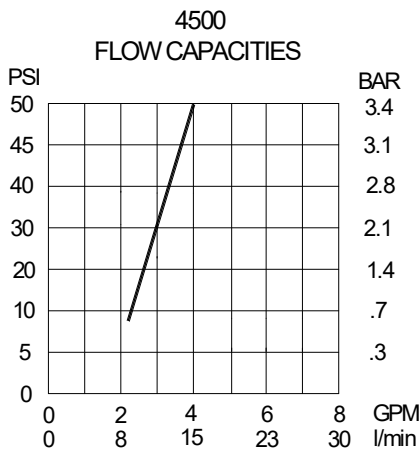
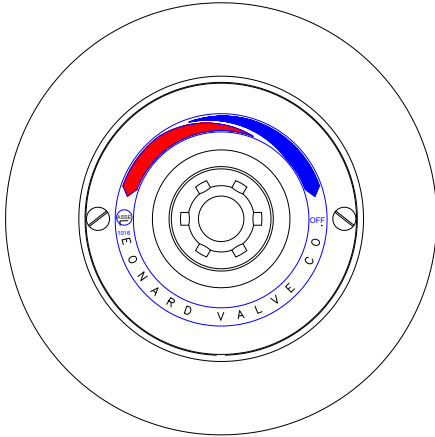


PRESSURE ACTUATED SHOWER VALVES

AQUATROL® 4500-LR ½” threaded inlets, and outlet SHOWER OR TUB/SHOWER

AQUATROL®4500-LR Pressure Actuated mixer

- Durable stainless steel balancing piston to equalize hot and cold supply pressures.
- Built-in shutoff for single handle operation
- Removable one piece upper and lower valve seat
- Internal parts of bronze and stainless steel
- Cast wall flange and ligature resistant knob, polished chrome plated
- Vandal resistant screws
- Maximum operating pressure: 125 PSIG (860KPA)
- Adjustable high temperature limit stop set for 110°F* (43°C)
- Minimum flow 1.5 GPM (5.7 l/min)
- Color coded dial, Off through Hot, with directional indicators
- Angle checkstops, threaded connection
- Plasterguard/thin wall mounting bracket included.



Valve is ASSE 1016 – Type P Certified

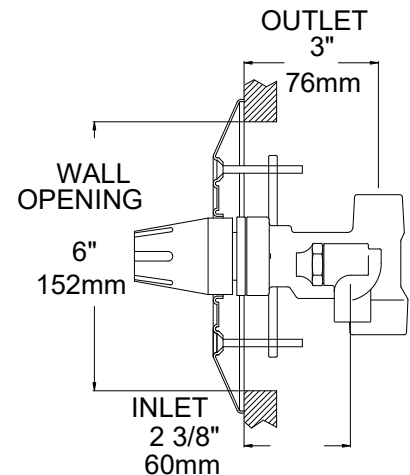
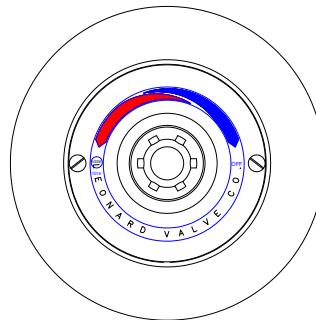


I. "Ligature resistant" disclaimer

NOTE: This product has been designed to reduce the likelihood that it can be used as a mechanism for hanging.

II. "Not a substitute" disclaimer

This product IS NOT A SUBSTITUTE for the evaluation, treatment or appropriate supervision of persons at risk of suicide.



WARNING: This product can expose you to chemicals including lead, which is known to the State of California to cause cancer. For more information, go to www.P65Warnings.Ca.gov

Note: Leonard Valve Company reserves the right of product, or design modifications without notice or obligation.

Engineer's Approval	Job # _____
	Arch/Eng. _____
	Contractor _____



1360 Elmwood Avenue, Cranston, RI 02910 USA

Phone: 401.461.1200 Fax: 401.941.5310

Email: info@leonardvalve.com

Web Site: <http://www.leonardvalve.com>