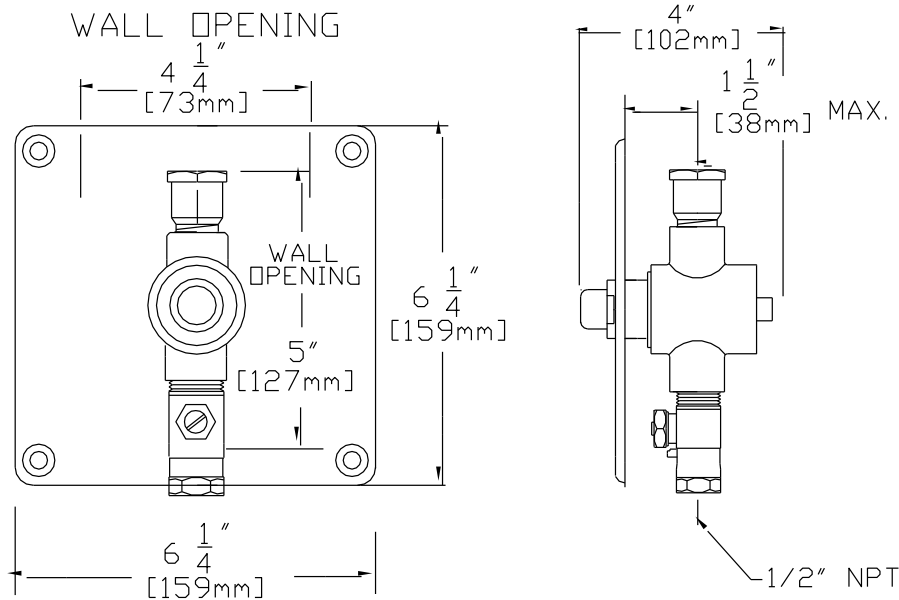


LV477B-3 METERING VALVE



Leonard LV477B-3 Metering Valve pushbutton- type, for concealed piping, 1/2" connections
 Brass body, exposed parts chrome plated and polished stainless steel
 Fixed cycle (approximately 30 seconds) +5 sec. -10 sec. subject to site conditions
 Recommended Maximum Operating Pressure: 80 PSIG (550 KPA)
 Inlet stop, 1/2" NPT

Recommended Maximum Operating Temperature: 105°F (41°C) recommended for bathing comfort. **NOTE:** Specify a properly sized Leonard Thermostatic Water Mixing Valve to temper the water supply to the metering valve(s).



WARNING: This product can expose you to chemicals including lead, which is known to the State of California to cause cancer. For more information, go to www.P65Warnings.Ca.gov

Engineer's Approval	Job # _____
	Arch/Eng. _____
	Contractor _____



1360 Elmwood Avenue, Cranston, RI 02910 USA
 Phone: 401.461.1200 Fax: 401.941.5310
 Email: info@leonardvalve.com
 Web Site: <http://www.leonardvalve.com>