

INDUSTRY HOSE STATIONS

CWH-75-1571-LF-EVB

SINGLE TEMPERATURE HOSE STATION

Single temperature valve

CWH-75-1571-LF-EVB CABINET

- Manual Water Valve
- 3/4" IPS inlet
- One stop and check valve heat resistant handle, (internal parts of stainless steel construction)
- Wall mounting bracket
- Vacuum breaker, hose connection outlet
- Rough finish
- Stainless steel hose rack
- Recess cabinet with door, hinge and lock, body 16 gauge stainless steel, door and flange 12 gauge stainless steel, #4 finish, top inlets.

OPTIONS

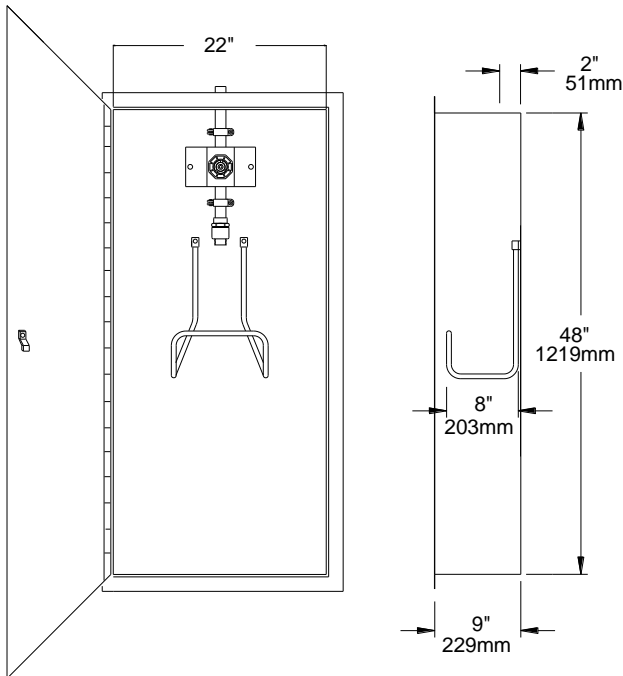
- DT-3/4" outlet with dial thermometer (20 to 240°F, -5 to 15°C)
- CP- Chrome plate finish

NOTE: ESS-Exposed type cabinet NOT AVAILABLE AS OF 10/22/2012

This Product is Third Party certified to meet national Low Lead requirements of AB 1953 where wetted surface area is required to be less than 0.25% lead by weight.



WARNING: This product can expose you to chemicals including lead, which is known to the State of California to cause cancer. For more information, go to www.P65Warnings.Ca.gov



NOTE: Hose and nozzle not included. If required, please attach separate submittal sheet.

Product is non-cancellable and non-returnable from date from order with factory. Signed submittal required with purchase order.

Engineer's Approval

Job # _____

Arch/Eng. _____

Contractor _____



1360 Elmwood Avenue, Cranston, RI 02910 USA

Phone: 401.461.1200 Fax: 401.941.5310

Email: info@leonardvalve.com

Web Site: <http://www.leonardvalve.com>