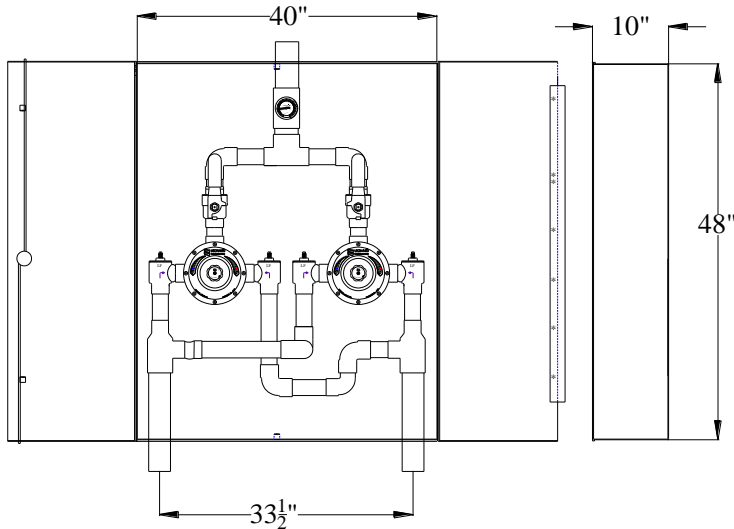


# XL-186-200-SW-2P-LF- STSTL-EXP

## PARALLEL INSTALLATION WITH CABINET

# HIGH LOW THERMOSTATIC MIXING VALVES

- High Low Thermostatic Water Mixing Valve with 10 GPM (38 l/min) minimum flow capacity+
- 3" inlets, 3" outlet (76mm X 76mm)
- Integral combination checkstops with strainers and wall support
- 125 PSI (8.6 BAR) maximum operating pressure
- Copper encapsulated thermostatic assembly with shuttle
- Locking temperature regulating handle set for 120°F(49°C)\*
- Temperature adjustment range, 95-135°F (35-57°C) \*\*
- Dial thermometer on outlet
- Factory assembled and tested
- Inlet manifold piping
- Internal parts of lead-free bronze, stainless steel
- Exposed type cabinet stainless steel # 4 finish double door with T-handle lock
- Rough Bronze Finish



### OPTIONS

- \_\_\_ SUFFIX TC- Test connection on outside of exposed cabinet and shipped loose
- \_\_\_ SUFFIX IT- Inlet thermometers on outside of exposed cabinet and shipped loose

**NOTE: REC-** Recessed type cabinet NOT AVAILABLE AS OF 2013

Valves are ASSE 1017 Certified



Valves are cUPC Certified



Valves are certified to meet Low-Lead requirements of wetted surface area containing less than 0.25% lead by weight. All other fittings and components, the sum total of which comprise the wetted surface of this product contains less than one quarter of one percent of lead by weight.

NOTE: Leonard Valve Company reserves the right of product or design modification without notice or obligation

Product is non-cancellable and non-returnable from date from order with factory. Signed submittal required with purchase order.

\*\*NOTE: For temperatures outside of this valve's stated range, please see our line of bi-metal valves.



**WARNING:** This product can expose you to chemicals including lead, which is known to the State of California to cause cancer. For more information, go to [www.P65Warnings.Ca.gov](http://www.P65Warnings.Ca.gov)

**Engineer's Approval**

Job # \_\_\_\_\_

Arch/Eng. \_\_\_\_\_

Contractor \_\_\_\_\_

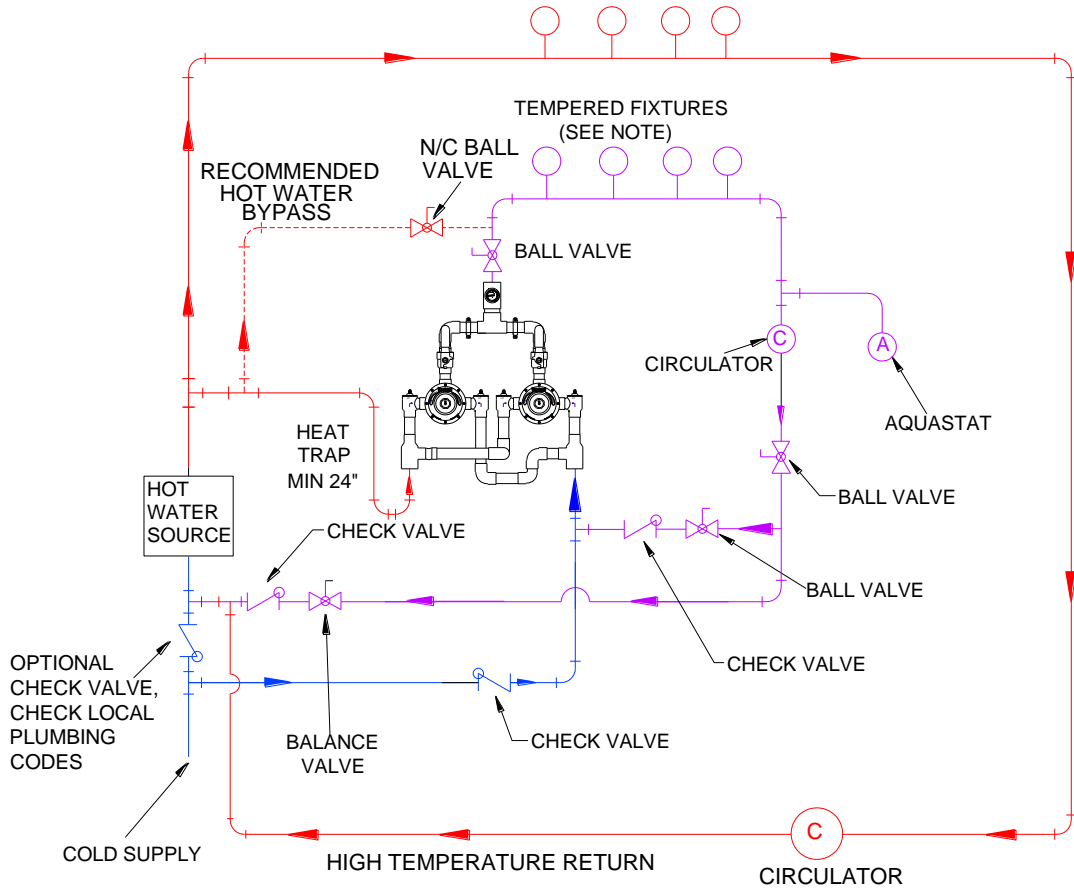
NOTE: Flowrates will vary depending on existing field conditions. Leonard Valve Company always recommends using CASPAK® sizing software for proper valve sizing and model number applications.

**CAUTION!** All thermostatic water mixing valves have limitations. They will NOT provide the desired accuracy outside of their flow capacity range. Consult the Flow Capacity Chart and DO NOT OVERSIZE. Minimum flow must be no less than as indicated.

\*NOTE: A limit stop, set for 120°F (49°C), is simply a mechanical setting to prevent excessive handle rotation. If incoming water is hotter than 150°F (65.5°C), the temperature of the factory test, the valve when turned to full HOT may deliver water in excess of 120°F and the limit stop MUST BE RESET BY THE INSTALLER

Note: The models shown represent Leonard Products which are believed to be equivalent in type and function to items specified. Leonard Valve Company is not responsible for errors or omissions due to differences in interpretations of information provided.

HIGH TEMPERATURE FIXTURES (IF APPLICABLE)



DOUBLE FLOWRATE WHEN BOTH VALVES ARE OPERATING  
 SINGLE VALVE ASSEMBLY FLOWRATES SHOWN  
 (MINIMUM FLOW RATE HAS BEEN DOUBLED TO 10 GPM)

PRESSURE DROP											
MIN+ FLOW	5	10	15	20	25	30	35	40	45	50	PSI
	0.3	0.7	1	1.4	1.7	2.1	2.4	2.8	3.1	3.4	BAR
10	69	96	117	135	148	163	174	188	198	208	GPM
38	216	363	443	511	560	617	659	712	750	787	l/min

+NOTE: The valve will maintain temperature with 0.5GPM flow from the domestic hot water loop when properly installed near the hot water source with a continuously operating recirculation pump.

**CAUTION!** All thermostatic water mixing valves have limitations. They will NOT provide the desired accuracy outside of their flow capacity range. Consult the Flow Capacity Chart and DO NOT OVERSIZE. Minimum flow must be no less than as indicated.



1360 Elmwood Avenue, Cranston, RI 02910 USA  
 Phone: 401.461.1200 Fax: 401.941.5310  
 Email: [info@leonardvalve.com](mailto:info@leonardvalve.com)  
 Web Site: <http://www.leonardvalve.com>