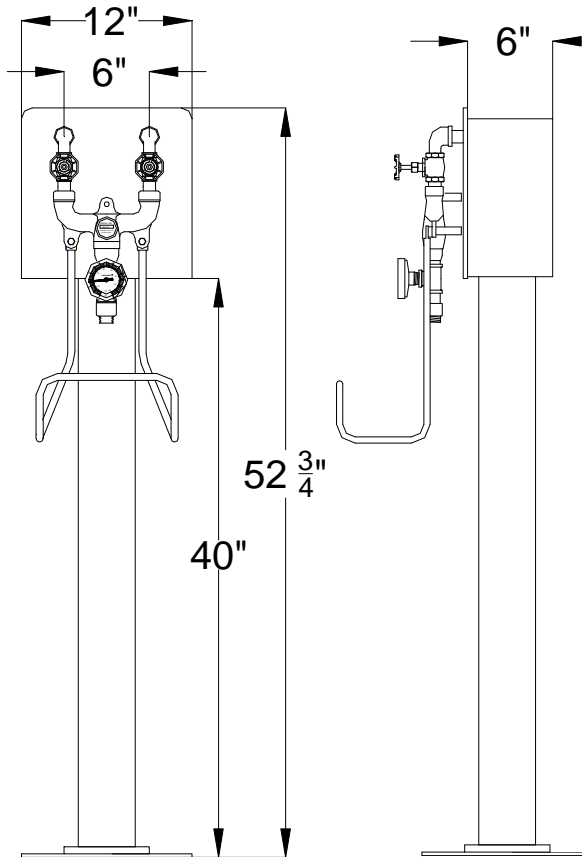


# PEDESTAL HOSE STATIONS

## ST-75-PD-LF

### MANUAL HOT & COLD OR STEAM AND COLD WATER MIXERS



**Mix hot & cold water or steam and cold water**

ST-75-PD-LF

- Stainless steel Pedestal #4 finish, including floor plate, supply box with removable cover. Factory assembled as a complete unit
- Manual Blender, #316 stainless steel body construction with stainless steel internal components
- 3/4" IPS inlets will control hot and cold water or steam and water
- Two stop and check valves with color coded heat resistant handles on inlets, #316 stainless steel body construction with stainless steel internal components
- Mixing chamber with jet, #316 stainless steel body construction with stainless steel internal components
- 3/4" outlet with dial thermometer (20 to 240°F, -5 to 115°C)
- Hose connection
- Stainless steel hose rack
- 40 PSI (2.8 bar) minimum operating pressure
- 125 PSI (8.6 bar) maximum operating pressure mixing hot and cold water only
- 80 PSI (5.5 bar) maximum operating pressure mixing steam and cold water



**WARNING:** This product can expose you to chemicals including lead, which is known to the State of California to cause cancer. For more information, go to [www.P65Warnings.Ca.gov](http://www.P65Warnings.Ca.gov)

**NOTE:** Hose and nozzle not included. If required, please attach separate submittal sheet.

**NOTE:** Vacuum breakers NOT available

Leonard Valve Company reserves the right of product, or design modifications without notice or obligation.

ST-75-P-LF

- Less dial thermometer

**Valve Assembly is Third Party certified to meet national Low Lead requirements of AB 1953 where wetted surface area is required to be less than 0.25% lead by weight.**

Engineer's Approval	Job # _____
	Arch/Eng. _____
	Contractor _____



1360 Elmwood Avenue, Cranston, RI 02910 USA  
Phone: 401.461.1200 Fax: 401.941.5310  
Email: [info@leonardvalve.com](mailto:info@leonardvalve.com)  
Web Site: <http://www.leonardvalve.com>