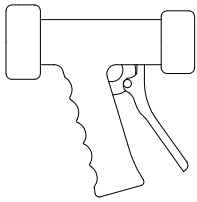


# INDUSTRY HOSE STATIONS

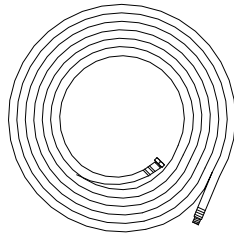
Submittal Data Sheet S-1565  
August, 2018

## HOSE STATION ACCESSORIES STAINLESS STEEL HEAVY DUTY HOSE NOZZLES HOSE RACK

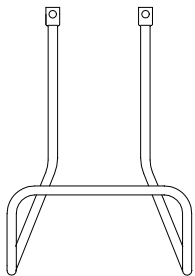
**N2-SS**



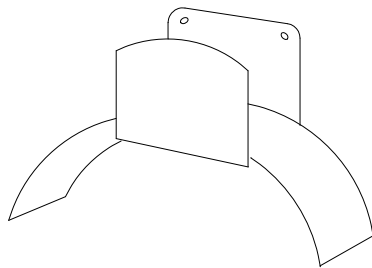
**HDS**



**HR**



**HDHR**



### HDS-HEAVY DUTY HOSE

- 3/4" EPDM cream color cover
- High temperature resistance 180°F (82°C) @ 200 PSI (13.7 Bar)  
200°F (93°C) @ 50 PSI (3.4 Bar)
- Stainless steel couplings.
- Stainless steel spring protector, one end.
- Special lengths available upon request
  - 75 HDS, seventy five feet (23 meters)
  - 50 HDS, fifty feet (15.2 meters)
  - 25 HDS, twenty five feet (7.6 meters)
  - 20 HDS, twenty feet (6.1 meters)
  - 15 HDS, fifteen feet (4.6 meters)
  - 10 HDS, ten feet (3 meters)
  - 5 HDS, five feet (1.5 meters)

### **OPTIONS:**

- SUFFIX SW – Stainless steel swivel

### HOSE NOZZLES

- Utilized in high temperature industrial applications which do not exceed 180°F (82.2°C)
- Finger-touch spray control
- Self-closing automatic shutoff
- Internal parts of bronze, brass, or stainless steel
  - N-2-SS - Body and internal parts of stainless steel

### HR-HOSE RACK

- Durable stainless steel construction with integral mounting brackets. Fits up to 35' of HDS hose.

### HDHR- HEAVY DUTY HOSE RACK

- Heavy duty hose rack, stainless steel welded construction



**WARNING:** This product can expose you to chemicals including lead, which is known to the State of California to cause cancer. For more information, go to [www.P65Warnings.Ca.gov](http://www.P65Warnings.Ca.gov)

**NOTE!** Leonard Hose Stations are designed to mix water and steam or hot and cold water for wash down applications at temperatures no greater than 180°F (82.2°C) and with supply pressures as noted in valve specification.

**Job #** \_\_\_\_\_

**Arch/Eng.** \_\_\_\_\_

**Contractor** \_\_\_\_\_

**NOTE:** Not designed for use with live steam.



1360 Elmwood Avenue, Cranston, RI 02910 USA

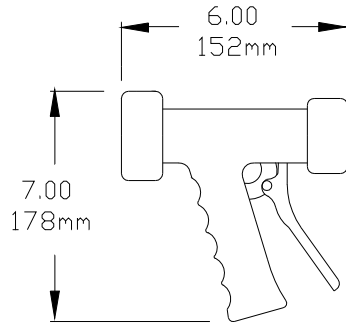
Phone: 401.461.1200 Fax: 401.941.5310

Email: [info@leonardvalve.com](mailto:info@leonardvalve.com)

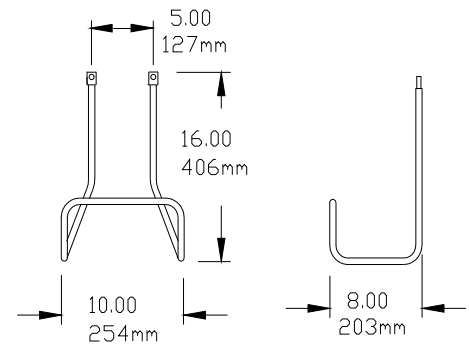
Web Site: <http://www.leonardvalve.com>

# HOSE STATION ACCESSORIES

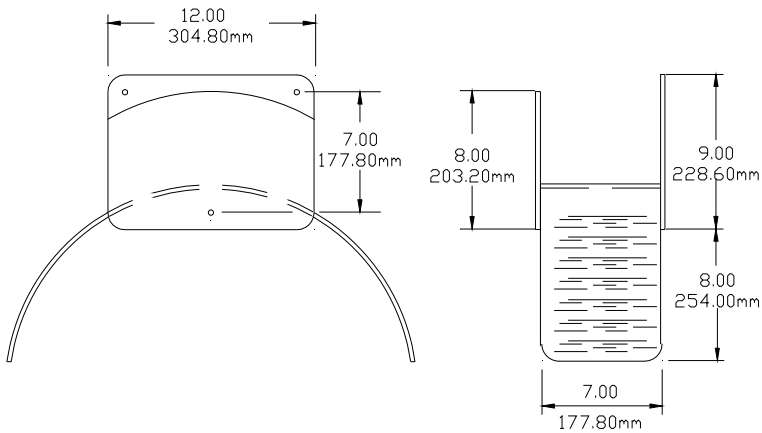
## N-2-SS NOZZLE



## HR-HOSE RACK



## HDHR-HOSE



**NOTE!** Not designed for use with live steam.

**NOTE!** Leonard Hose Stations are designed to mix water and steam or hot and cold water for wash down applications at temperatures no greater than 180°F (82.2°C) and with supply pressures as noted in valve specification.

**Engineer's Approval**



1360 Elmwood Avenue, Cranston, RI 02910 USA

Phone: 401.461.1200 Fax: 401.941.5310

Email: [info@leonardvalve.com](mailto:info@leonardvalve.com)

Web Site: <http://www.leonardvalve.com>