



PAM[®]II-E



PRESSURE ACTUATED MIXING VALVE (1/2") INSTALLATION INSTRUCTIONS

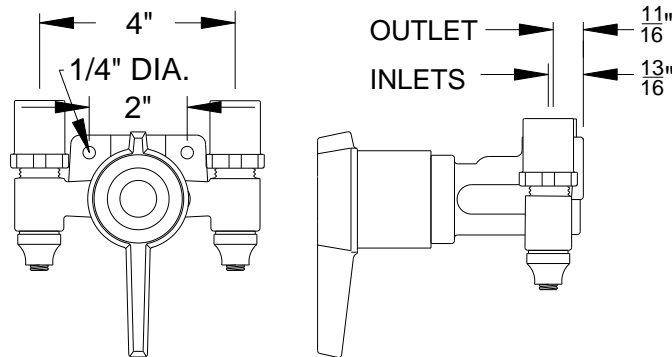
Serial No. PGS 1992 and higher

1. Install hot water to left inlet and cold water to right inlet.
2. Pipe cement, or solder flux, must be used sparingly. After connections are made to the valve, flush pipes thoroughly to remove dirt and excess materials, which may become lodged on the working parts of the valve.
3. **IMPORTANT:** The PAM[®]II-E valve is designed for top in and out. After the valve is installed as noted above, recheck and reset the adjustable high temperature limit stop (see instructions, page 2).

OPERATION

The PAM[®]II-E is a pressure-actuated water mixing valve which will compensate for changes in the pressure of hot and cold supplies. The easy to read dial with directional indicators help to eliminate confusion as to where the handle should be located for a particular temperature. Turn the handle counter-clockwise from the "OFF" position through the BLUE (or cold) area of the dial plate, the shower is on and the temperature is cold. As the handle enters the RED (or HOT) area, shower temperature becomes progressively WARMER until the high temperature limit is reached in the full "HOT" position. To turn OFF, move handle back in clockwise direction to the "OFF" position.

Attach the pointer to the valve stem (using the pointer screw and washer), and insert snap cap. The top (short) end of the pointer should point straight up in the off position.



PAM[®]II-E

WARNING

WARNING: THIS MIXING VALVE IS EQUIPPED WITH AN ADJUSTABLE HIGH TEMPERATURE LIMIT STOP FACTORY SET AT APPROXIMATELY 110°F (43°C) WITH AN INCOMING HOT WATER TEMPERATURE OF 135°F (57°C). IF INCOMING HOT WATER IS HIGHER THAN 135°F (57°C), THE VALVE WHEN TURNED TO FULL HOT MAY DELIVER WATER IN EXCESS OF 110°F (43°C), AND THE HIGH TEMPERATURE LIMIT STOP MUST BE RESET BY THE INSTALLER, (SEE REVERSE).



WARNING: This product can expose you to chemicals including lead, which is known to the State of California to cause cancer. For more information, go to www.P65Warnings.Ca.gov

WARNING! HOT WATER IN EXCESS OF 110°F (43°C) IS DANGEROUS AND MAY CAUSE SCALDING.

1360 Elmwood Avenue, Cranston, RI 02910 USA

Phone: 401.461.1200 Fax: 401.941.5310

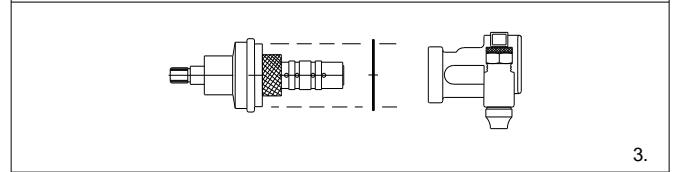
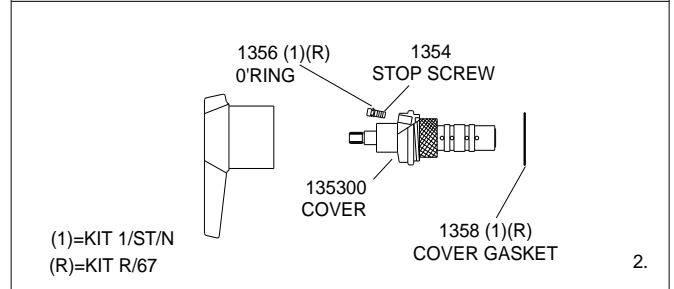
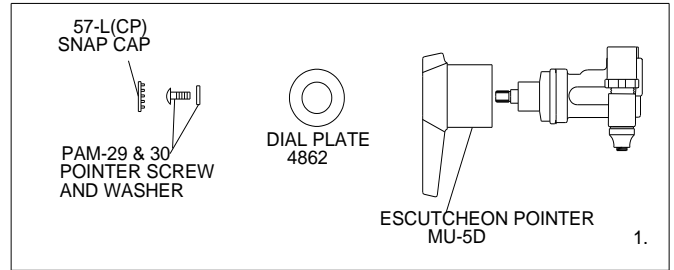
Email: info@leonardvalve.com

Web Site: <http://www.leonardvalve.com>

INSTRUCTIONS FOR CLEANING AND SERVICING

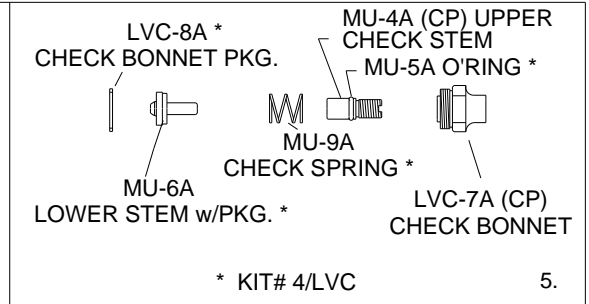
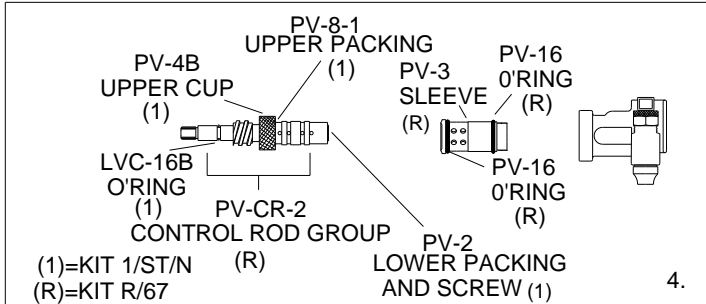
TO CLEAN PAM®II-E AFTER OPERATION

1. Remove snap cap, screw and washer, remove pointer (MU-5D). (see DWG 1).
 2. Turn off hot and cold supply at checkstops .
 3. Temporarily place pointer on spline and turn LEFT to maximum "HOT" position. Unscrew cover and remove complete interior assembly).
 4. If valve will not shut off, replace PV-8-1 upper packing, PV-2 lower packing and inspect upper and lower valve seats in PV-3 sleeve).
 5. If valve will not mix properly, piston in PV-CR-2 control rod group may be sticking due to foreign matter.
 - a. Tap knurled end of control rod against a solid object to free piston or hit with a plastic mallet.
 - b. Remove PV-2 lower packing and screw and tap piston loose with a small drift pin.
 - c. Submerge lower end of PV-CR-2 in a non-corrosive cleaning solution and flush with clean water.
- NOTE:** Before reinserting assembly in valve (with cover gasket) make sure pointer has been turned LEFT to the maximum "HOT" position.



TO RESET HIGH TEMPERATURE LIMIT STOP (DWG 2):

1. Remove snap cap, screw and washer.
2. Remove pointer (MU-5D). Loosen Stop Screw but do NOT remove.
3. Replace pointer on spline and turn to the left or right until the valve is delivering the highest temperature OF 110°F OR LOWER, then remove pointer.
3. Tighten (1354) Stop Screw. On the cover.
4. Reinstall pointer so that the pointers top (SHORT) end is straight up in the OFF position.



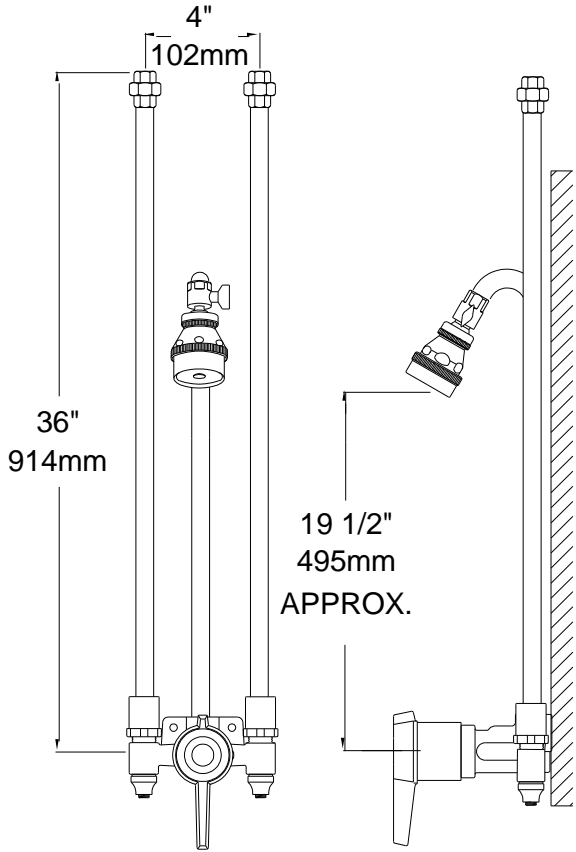
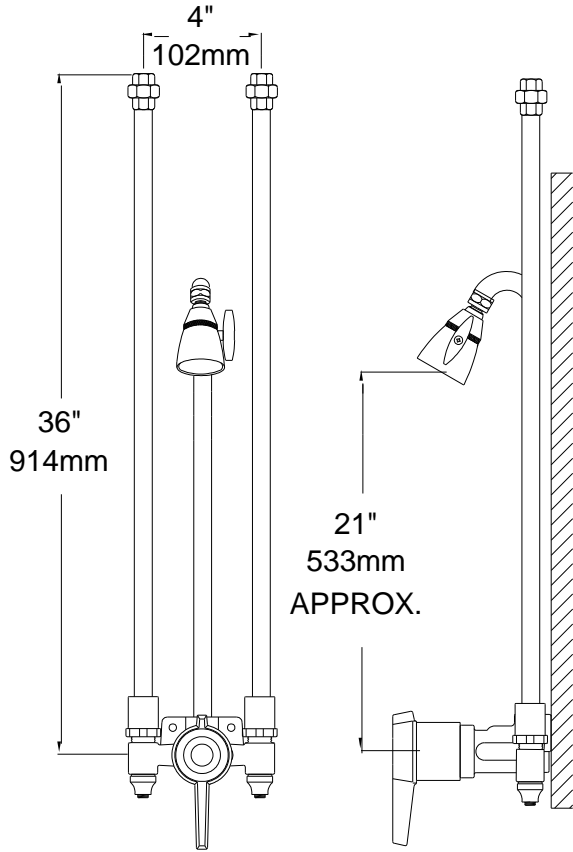
IMPORTANT! TEST THE NEW HIGH TEMPERATURE SETTING BY HOLDING A THERMOMETER UNDER THE FLOW OF WATER TO BE CERTAIN IT IS AS DESIRED. HOT WATER IN EXCESS OF 110°F IS DANGEROUS AND MAY CAUSE SCALDING.

	SYMPTOM:	KIT REQUIRED:	PARTS INCLUDED:
PACKINGS & O'RINGS	<ol style="list-style-type: none"> 1. Leak at handle. 2. Valve will not shut off completely. 3. Valve is difficult to pull apart. 4. Leak at stop screw. 	Kit 1/ST/N	PV-2, PV-4B, PV-8-1, LVC-16B, 01358, 01356, PV-16
CONTROL ROD GROUP	<ol style="list-style-type: none"> 5. Valve delivers either all hot or all cold water, or will not mix consistently. 	Kit R/67	01358, PV-CR-2, PV-3, PV-16 (2) (also PV-45 if ¼" hex tool not available).
INSERTED SEAT	<ol style="list-style-type: none"> 4. After replacing packings and O-rings, valve will not shut off completely. 		PV-3, PV-3A, PV-16
CHECKSTOPS	<ol style="list-style-type: none"> 5. Supplies cannot be shut off completely. 6. Leak at checkstop (or stop) bonnet or stem. 		KIT# 4/LVC

INSTALLATION

SS-PAM-203-E

SS-PAM-201E



LIMITED WARRANTY

Leonard Valve Company warrants the original purchaser that products manufactured by them (not by others) will be free from defects in materials and workmanship under normal conditions of use, when properly installed and maintained in accordance with Leonard Valve Company's instructions, for a period of one year from date of shipment. During this period the Leonard Valve Company will at its option repair or replace any product, or part thereof, which shall be returned, freight prepaid, to the Leonard factory and determined by Leonard to be defective in materials or workmanship. There are no warranties, express or implied, which extend beyond the description contained herein. There are no implied warranties of merchantability or of fitness for a particular purpose. In no event will Leonard be liable for labor or incidental or consequential damages. Any alteration or improper installation or use of the product will void this limited warranty.

1360 Elmwood Avenue, Cranston RI 02910 USA
Phone: 401-461-1200 Fax 401-941-5310
Email: info@leonardvalve.com
Web Site: <http://www.leonardvalve.com>