

WALL MOUNTED SHOWER SYSTEMS

Submittal Data Sheet S-1411A
August, 2018

surfashower®

MULTIPLE USER

THREE PERSON (Pressure Actuated)

__SS-PAM-200/3ISA-3P Three Person Surfashower® including three each:

- PAM-II Pressure Shower Mixer
- Adjustable limit stop set for 110°F (43°C)*
- Built-in shutoff for single handle operation
- Color-coded dial, lever handle
- Maximum operating pressure: 125 PSIG (860KPA)
- Inlet stops, recessed soap dish
- H-06 institutional shower head, 2.5 GPM (9.5 l/min.) max
- Factory pre-assembled with 18 gauge stainless steel cover, #4 finish, with top and bottom caps
- ¾" connections, top inlets

__SS-PAM-204-3P as above with

- H-03 adjustable spray ball joint shower head 2.5 GPM (9.5 l/min.)

TWO PERSON (Pressure Actuated)

__SS-PAM-200/3ISA-2P Two Person Surfashower® including two each of the components shown above

__SS-PAM-204/3ISA-2P Two Person

Surfashower® including two each of the components shown above

OPTIONS:

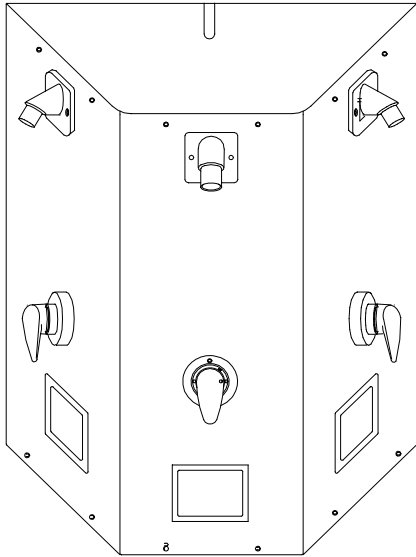
__ SUFFIX HC One station (specify left side or right side) with D-2L/501P(G)-44 including:

- D-2L inline diverter valve with lever handle
- 501P(G) hand shower 2.0 GPM (7.6 l/min.) 69" (1753mm) hose, 24" (610mm) glide bar, inline vacuum breaker, supply elbow
- 44" long stainless steel cover

__SUFFIX VX - Integral stainless steel extension to ceiling, specify length__". See reverse side to calculate VX length

__SUFFIX BC - Back inlet connections (solid top cover)

__SUFFIX ADJ- H06 only, adjustable spray



SS-PAM-200/3ISA-3P



WARNING: This product can expose you to chemicals including lead, which is known to the State of California to cause cancer. For more information, go to www.P65Warnings.Ca.gov

***NOTE:** A limit stop, set for 110°F (43°C), is simply a mechanical setting to prevent excessive handle rotation. If incoming water is hotter than 135°F (57°C), the temperature of the factory test, the valve when turned to full HOT may deliver water in excess of 110°F and the limit stop **MUST BE RESET BY THE INSTALLER**

 **LEONARD**[®]
WATER TEMPERATURE CONTROLS

1360 Elmwood Avenue, Cranston, RI 02910 USA
Phone: 401.461.1200 Fax: 401.941.5310

Email: info@leonardvalve.com

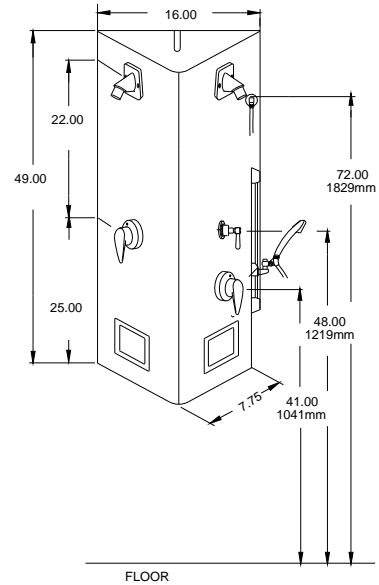
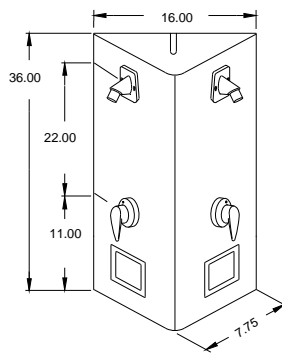
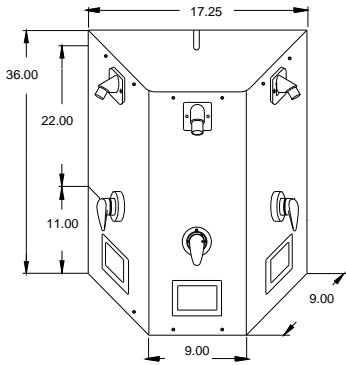
WEB: <http://www.leonardvalve.com>

MULTIPLE USER surfashower®

SS-PAM-200/3ISA-3P

SS-PAM-200/3ISA-2P

SUFFIX HC (One station modified
For handicapped use, extended cover) 2P
Unit shown



SUFFIX VX

(For SS-PAM-200/3ISA)

VX Length:
To calculate:
VX Length= Ceiling height
minus shower head height
minus 5" (127mm)

SUFFIX VX

(For SS-PAM-204)

VX Length:
To calculate:
VX Length= Ceiling height
minus shower head height
minus 7 1/2" (191mm) (-204)

SUFFIX HC (One station modified
For handicapped use, extended
cover) 3P Unit shown

Job # _____ Arch/Eng. _____ Contractor _____	Engineer's Approval
--	--



Note: Leonard Valve Company reserves the right of product, or design modifications without notice or obligation.

1360 Elmwood Avenue, Cranston, RI 02910 USA
 Phone: 401.461.1200 Fax: 401.941.5310
 Email: info@leonardvalve.com
 WEB: <http://www.leonardvalve.com>