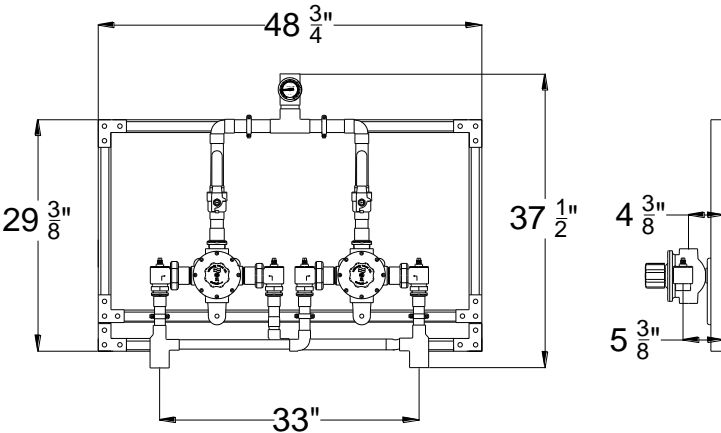


HIGH LOW MANIFOLD SYSTEM

ECO-MIX™

XL-150-2PS-LF

PARALLEL INSTALLATION WITH STRUT



- High Low Thermostatic Water Mixing Valve with 6 GPM (23 l/min) minimum flow capacity
- 2" inlets, 2" outlet (51mm x 51 mm)
- Integral combination checkstops with strainers and wall support
- 125 PSI (8.6 BAR) maximum operating pressure
- Copper encapsulated thermostatic assembly with Stainless steel shuttle
- Locking temperature regulating handle set for 120°F(49°C)*
- Temperature adjustment range, 95-135°F (35-57°C) **
- Bottom inlets, top outlet
- Dial thermometer on outlet
- Internal parts of Lead-Free bronze and stainless steel
- Rough Bronze Finish

Valves are certified to meet Low-Lead requirements of wetted surface area containing less than 0.25% lead by weight. All other fittings and components, the sum total of which comprise the wetted surface of this product contains less than one quarter of one percent of lead by weight.

Options:

- ___ SUFFIX TC- Test connection
- ___ SUFFIX IT- Inlet thermometers

Product is non-cancellable and non-returnable from date from order with factory. Signed submittal required with purchase order.

Valves are ASSE 1017 Certified



Valves are CUPC Certified



DOUBLE FLOWRATE WHEN BOTH VALVES ARE OPERATING

SINGLE VALVE ASSEMBLY FLOWRATES SHOWN
(MINIMUM FLOW RATE HAS BEEN DOUBLED TO 6 GPM)

VALVE	MIN+ FLOW	PRESSURE DROP										PSI BAR
		5 0.3	10 0.7	15 1	20 1.4	25 1.7	30 2.1	35 2.4	40 2.8	45 3.1	50 3.4	
XL-150	6	44	61	74	86	95	103	110	117	124	130	GPM
	23	167	231	280	326	360	390	416	443	469	492	l/min

**NOTE: For temperatures outside of this valve's stated range, please see our line of bi-metal valves.

CAUTION! All thermostatic water mixing valves have limitations. They will NOT provide the desired accuracy outside of their flow capacity range. Consult the Flow Capacity Chart and DO NOT OVERSIZE. Minimum flow must be no less than as indicated.



WARNING: This product can expose you to chemicals including lead, which is known to the State of California to cause cancer. For more information, go to www.P65Warnings.Ca.gov

Job # _____	Engineer's Approval _____ _____ _____
Arch/Eng. _____	
Contractor _____	



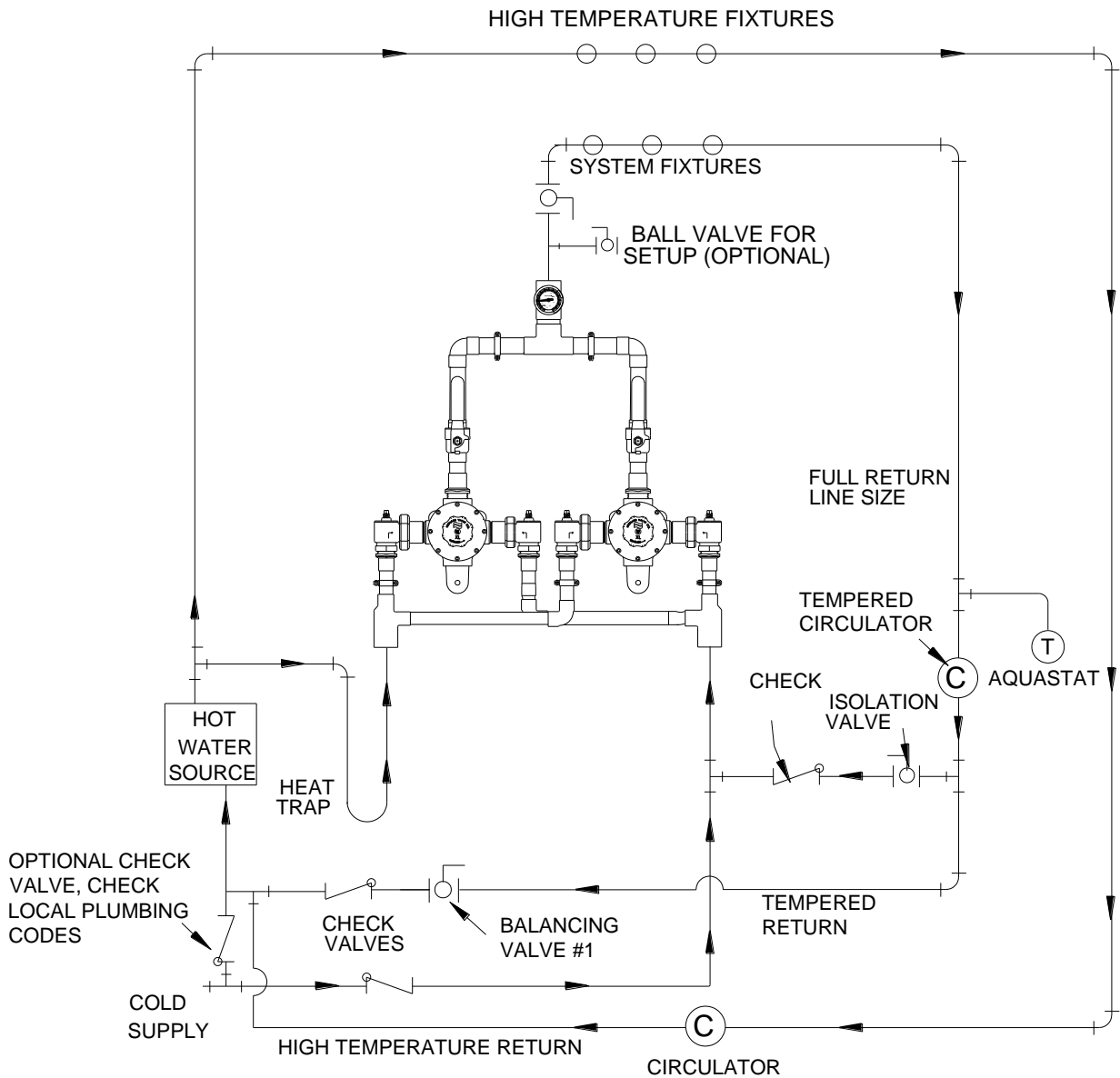
1360 Elmwood Avenue, Cranston, RI 02910 USA

Phone: 401.461.1200 Fax: 401.941.5310

Email: info@leonardvalve.com

Web Site: <http://www.leonardvalve.com>

REQUIRED PIPING METHOD #W



1360 Elmwood Avenue, Cranston, RI 02910 USA

Phone: 401.461.1200 Fax: 401.941.5310

Email: info@leonardvalve.com

Web Site: <http://www.leonardvalve.com>