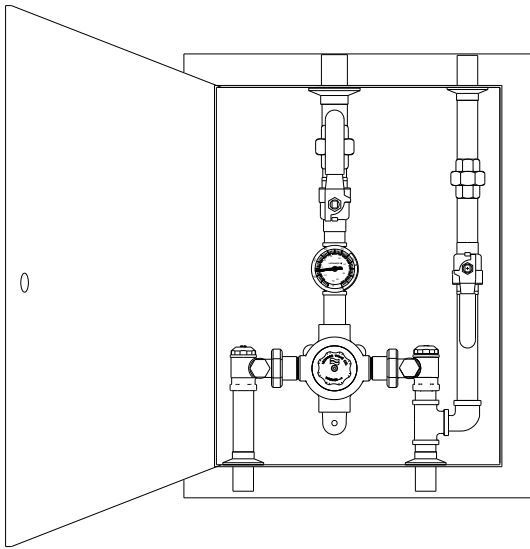


# Thermostatic MIXING VALVES

## ECO-MIX™



**WARNING:** This product can expose you to chemicals including lead, which is known to the State of California to cause cancer. For more information, go to [www.P65Warnings.Ca.gov](http://www.P65Warnings.Ca.gov)

**+NOTE:** The valve will maintain temperature with 0.5GPM flow from the domestic hot water loop when properly installed near the hot water source with a continuously operating recirculation pump.

**\*\*NOTE:** For temperatures outside of this valve's stated range, please see our line of bi-metal valves.

**CAUTION!** All thermostatic water mixing valves have limitations. They will NOT provide the desired accuracy outside of their flow capacity range. Consult the Flow Capacity Chart and DO NOT OVERSIZE. Minimum flow must be no less than as indicated.

**Engineer's Approval**

Job # \_\_\_\_\_

Arch/Eng. \_\_\_\_\_

Contractor \_\_\_\_\_

# Cabinet Assemblies

LV-322-982-LF-\_\_\_\_

LV-322-982-LF 1" inlets, 1¼" outlet

- Thermostatic water mixing valve
- Copper encapsulated thermostatic assembly with Stainless Steel shuttle
- Combination checkstops, unions on inlets, wall support
- Locking temperature regulating handle
- Tempered outlet ball valves
- Color coded dial thermometer (0 to140°F, -10° to 60°C)
- Temperature adjustment range, 90-140°F (32-60°C) \*\*
- Maximum operating pressure: 125 PSIG (860KPA)
- Recessed cabinet, with door, left hand hinge and flange, cylinder lock
- Bottom inlets, top outlet, with cold water by-pass tee, ball valve.
- Factory assembled and tested
- Rough bronze finish

### OPTIONS:

- SUFFIX CP - Chrome plated finish
- SUFFIX IT – Inlet thermometers
- SUFFIX BWE REC- Steel cabinet, baked white enamel recessed
- SUFFIX STSTL REC-Stainless Steel recessed cabinet
- SUFFIX BWE EXP-Exposed cabinet, baked white enamel
- SUFFIX STSTL EXP- Exposed cabinet, Stainless steel
- SUFFIX RHH - Right hand hinge
- SUFFIX VIEW – View port in door

NOTE: SEMI-Recessed NOT available

ASSE 1017 Certified



cUPC Certified



**Valve assembly is certified to meet Low-Lead requirements of wetted surface area containing less than 0.25% lead by weight. All other fittings and components, the sum total of which comprise the wetted surface of this product contains less than one quarter of one percent of lead by weight.**

Note: Leonard Valve Company reserves the right of product, or design modifications without notice or obligation.

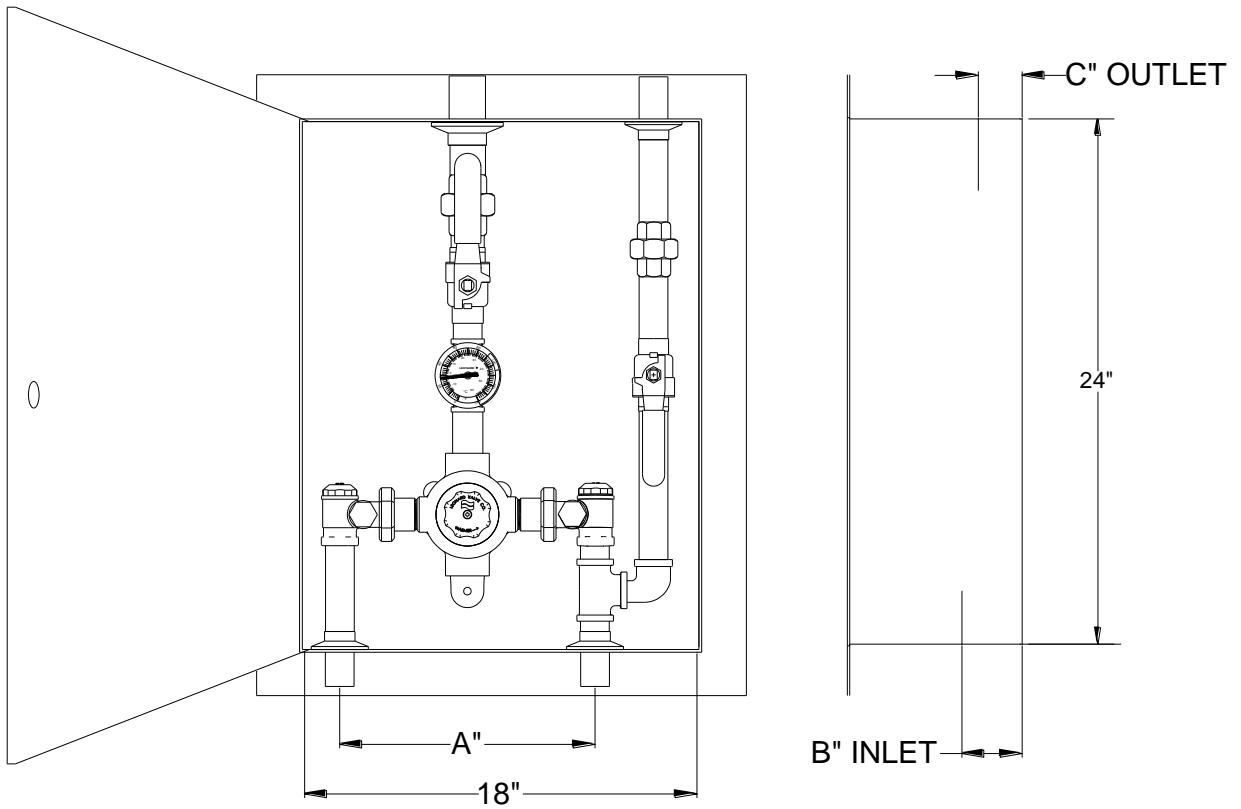


1360 Elmwood Avenue, Cranston, RI 02910 USA

Phone: 401.461.1200 Fax: 401.941.5310

Email: [info@leonardvalve.com](mailto:info@leonardvalve.com)

Web Site: <http://www.leonardvalve.com>



MODEL	A"	B"	C"
LV-322-982	12"	4"	2 1/2"

MODEL	IN	OUT	MINIMUM FLOW (GPM) (l/min)	SYSTEM PRESSURE DROP (PSIG)									
				5	10	15	20	25	30	35	40	45	PSI
LV-322-982	1"	1 1/4"	3 (11)	.3	.7	.97	1.4	1.7	2.1	2.4	2.8	3.1	BAR
				21	31	37	43	48	53	56	60	63	GPM
				79	117	140	163	182	201	211	227	238	l/min



1360 Elmwood Avenue, Cranston, RI 02910 USA

Phone: 401.461.1200 Fax: 401.941.5310

Email: [info@leonardvalve.com](mailto:info@leonardvalve.com)

Web Site: <http://www.leonardvalve.com>